

# Saniwall Pro UP

## Glass version



5 m  
100 m



### PRODUCT BENEFITS

- The support frame + macerator solution for use with a wall-hung WC (not provided)
- Easy maintenance: double access to the product
- Perfectly integrated with an elegant and contemporary design for any bathroom décor

### CONNECTIONS

← External discharge diameter: 22/28/32 mm

→ External inlet diameter: 40/100 mm

- Direct access to the basket in case of blockage due to improper use of the device without dismantling the device and without emptying the tank



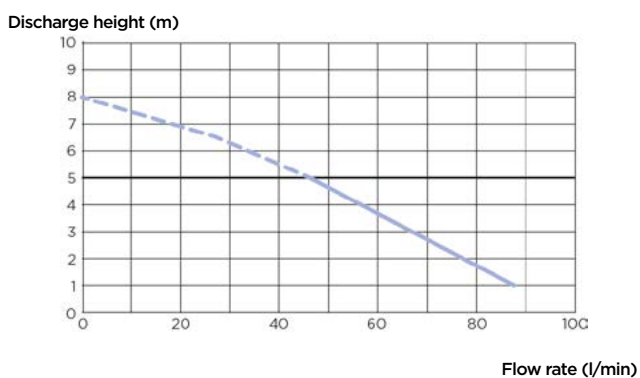
Single blade cutter



### PACK CONTAINS

Saniwall Pro Up, Grohe support frame, glass cladding, non-return valve, connectors

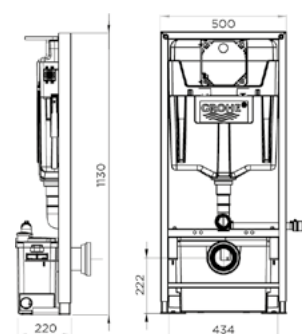
### CURVE



### TECHNICAL FEATURES

Number of inlets	3
External inlet diameter	40/100 mm
External discharge diameter	22/28/32 mm
Shower tray height	13 cm
Max. incoming temperature	35°C
Voltage - Frequency	220-240 V - 50-60 Hz
Motor power	400 W
IP rating	IP44
Electrical class	I
Noise level	47 dB(A)
<b>Identification and logistics</b>	
Gross weight	45 kg
Barcode	3308815074115
Product code	6110

### DIMENSIONS



Dimensions (mm)